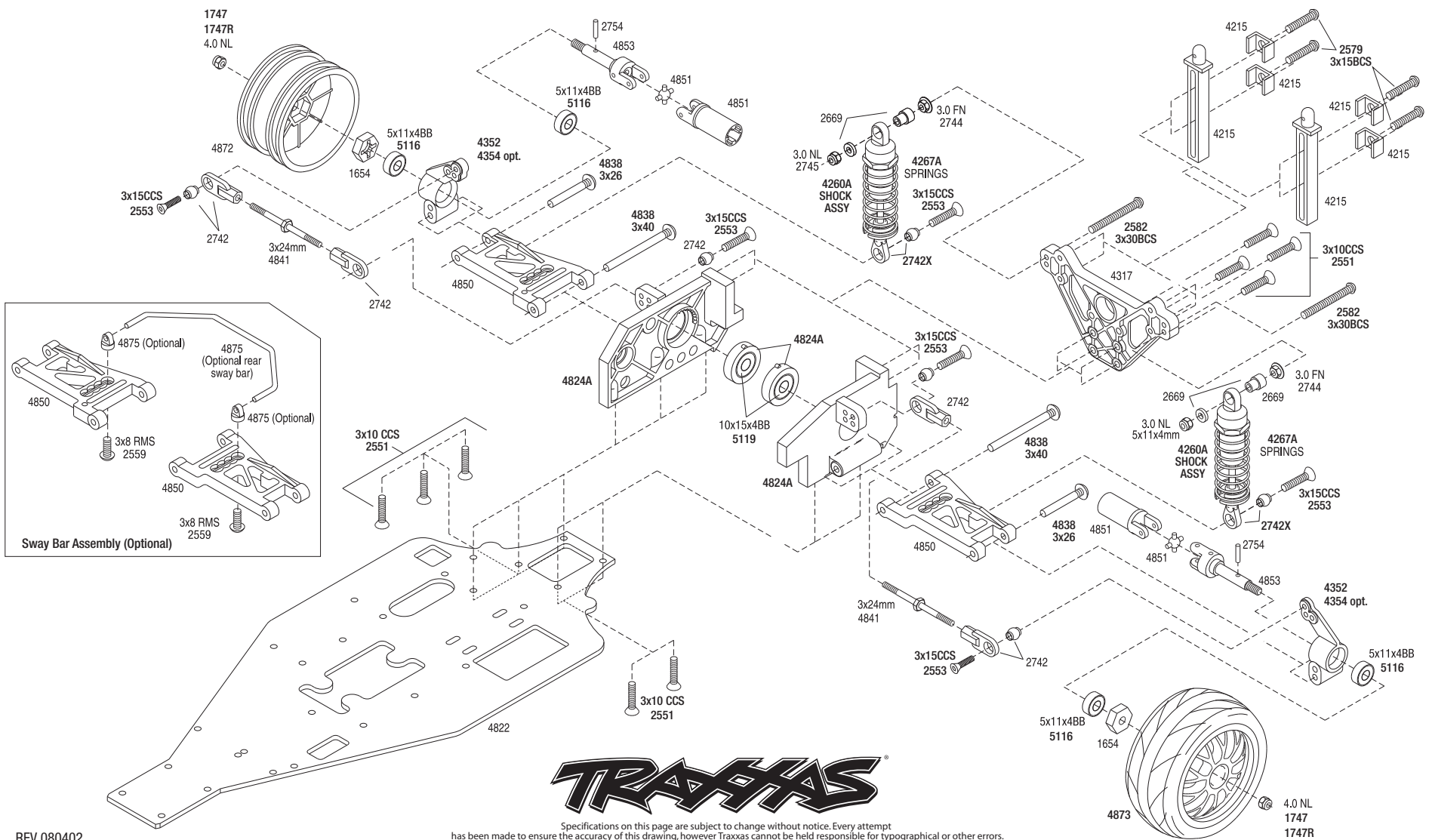


NITRO4TEC

ALL-WHEEL-DRIVE SUPERCAR 3.3

Rear Assembly



Specifications on this page are subject to change without notice. Every attempt has been made to ensure the accuracy of this drawing, however Traxxas cannot be held responsible for typographical or other errors.